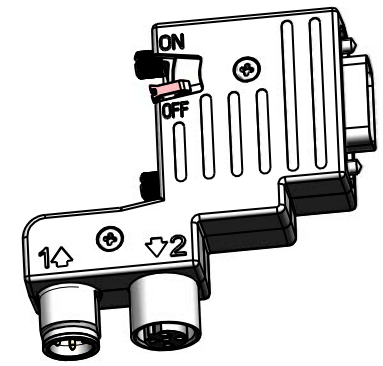
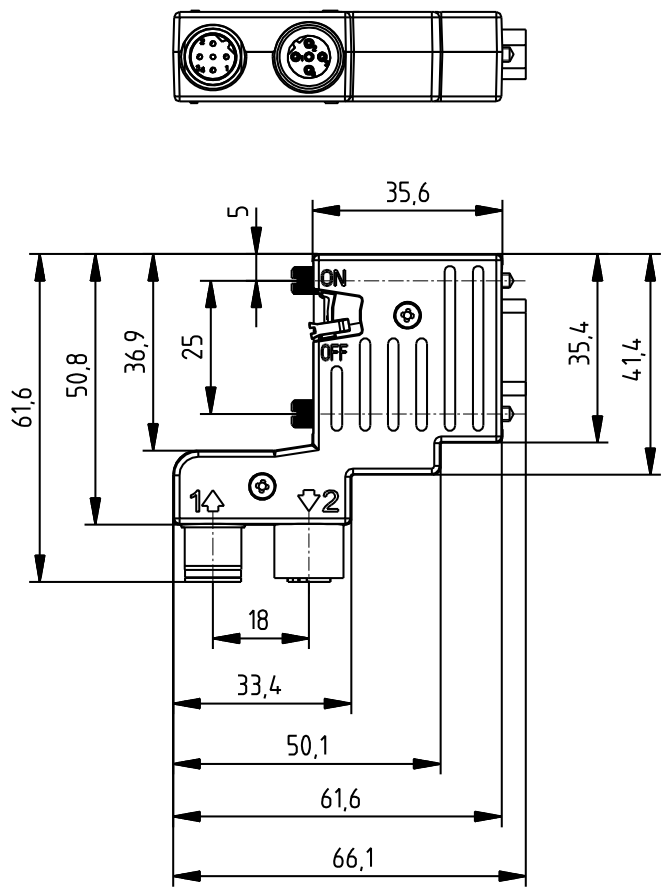
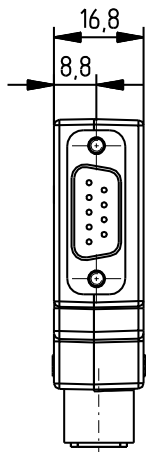
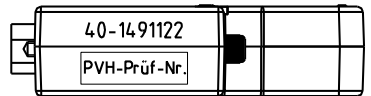
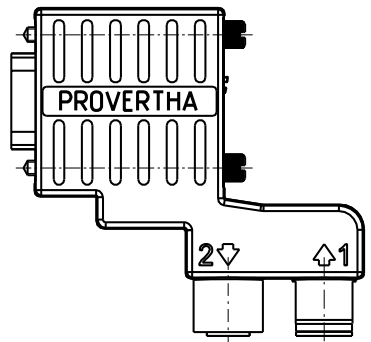


The reproduction, distribution and utilization of this document as well as the communication of its contents to others without express authorization is prohibited. Offenders will be held liable for the payment of damages. All rights reserved in the event of the grant of a patent, utility model or design.

(2:1) Codierung / encoding

Stift
male

Buchse
female



Design Änderungen vorbehalten / Subject to design changes

Toleranzen / tolerances:		Projektion / projection:		Maßstab / scale		Vereinfachte Darstellung simplified representation	
				1:1			
		Maßangaben in: dimension units		mm		Artikel / article:	
		Datum / date		Name / name		PROFIBUS COMPACT 2 M12 OPG PVH	
		26.11.13		Suchy			
		Gepr. / checked		U.Schulz		Zeichnungs-Nr. / drawing no:	
						40-1491122-P	
01 Freigabe		26.11.13		Su.		Blatt / sheet	
Index Änderung / modification		Datum		Name		1/1	
				Kd.-Zg.:		Ersatz für / substitute for:	
						DIN A3	